

# Concord Bariatric Chair

Generous & hard wearing.

The Concord chair is one hard wearing utility chair. Its generous size and enhanced comfort cushioned foam offers long term comfort within any office, reception, lounge, meeting room or waiting area.



#### PU ARMS CAPS

For ease of cleaning, extra comfort and mobility.

#### ANTI-MICROBIAL UPHOLSTERY

Dillon PU is a heavy-duty fabric with Silver-based Ion Technology, designed to withstand high wear and tear.



**HEAVY DUTY FRAME**  
with durable titanium powder coated 2mm gauge steel

### International Standards.

The Buro Concord chair is supported by the following Internationally recognised standards:

- Tested to **ANSI/BIFMA** x5.1-2011 General-Purpose Office Chairs

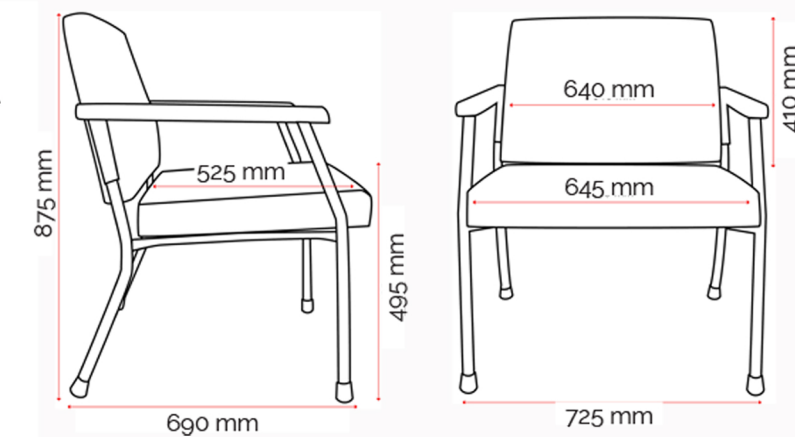
### Features.

- 250kg capacity loading
- Heavy Duty 2mm gauge round tube steel frame
- Durable titanium powder coated frame
- High density polyurethane contoured moulded foam enhances the sitting experience
- Polyurethane arm caps for extra comfort

#### Custom Options.

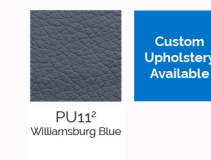
- Dillon Anti-Microbial PU upholstery colours; Buff, Black, Java<sup>2</sup>
- Customer Specified fabrics<sup>2</sup>

### Specifications. (mm)



### Upholstery.

Dillon PU<sup>2</sup> Custom<sup>2</sup>



Overall	725w / 690d / 875h
Back	640w / 410h
Seat	645w / 525d
Seat Height	495h

### Quality Assurance and Accreditations.

